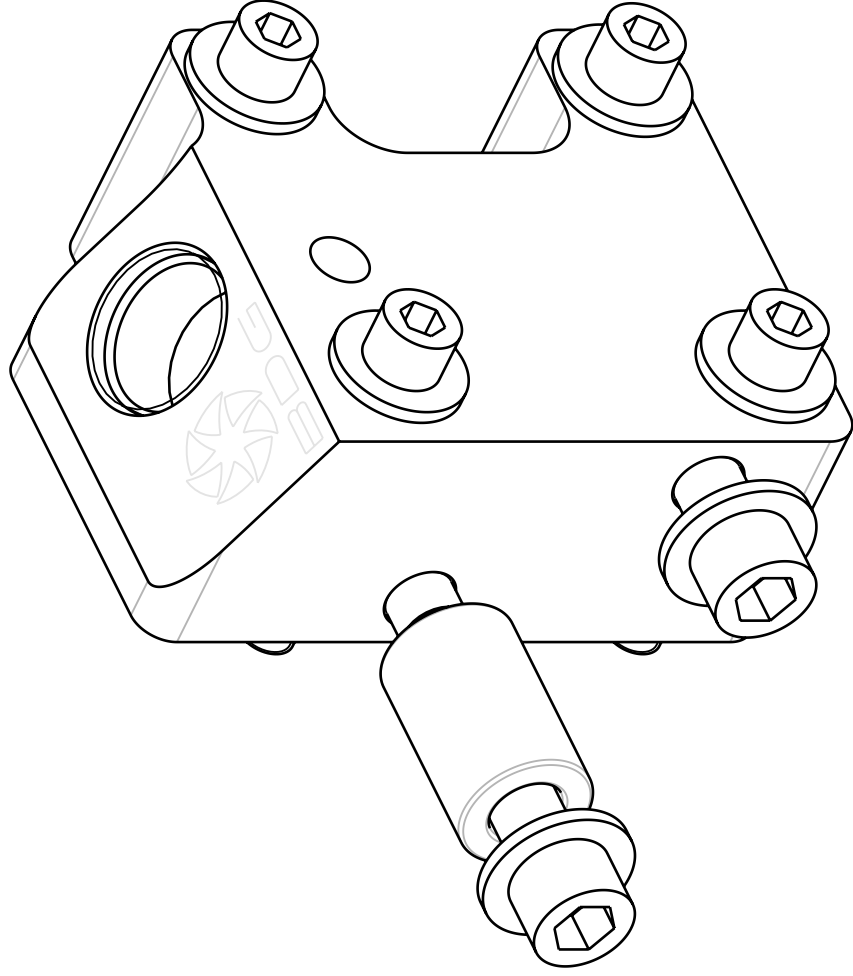


ITEM	PART NUMBER	PART NAME	QTY
1	02SP30	MOUNT SPACER, 30mm	1
2	BS018	O-RING	1
3	CC5-2000	CAP SOCKET SCREW, 5/16 UNC x 2.0"	4
4	CC6-1000	CAP SOCKET SCREW, 3/8 UNC x 1.0"	1
5	CC6-2750	CAP SOCKET SCREW, 3/8 UNC x 2.75"	1
6	M0132P2306	HOLDEN V8 PUMP MOUNT	1
7	W15H	WASHER, 5/16 HARDENED	4
8	W16H	WASHER, 3/8 HARDENED	2



FITS HOLDEN V8 IN
PLACE OF STANDARD
OIL PUMP.

